

CASE STUDY

Compliance to CAISO modeling requirements and NERC MOD standards

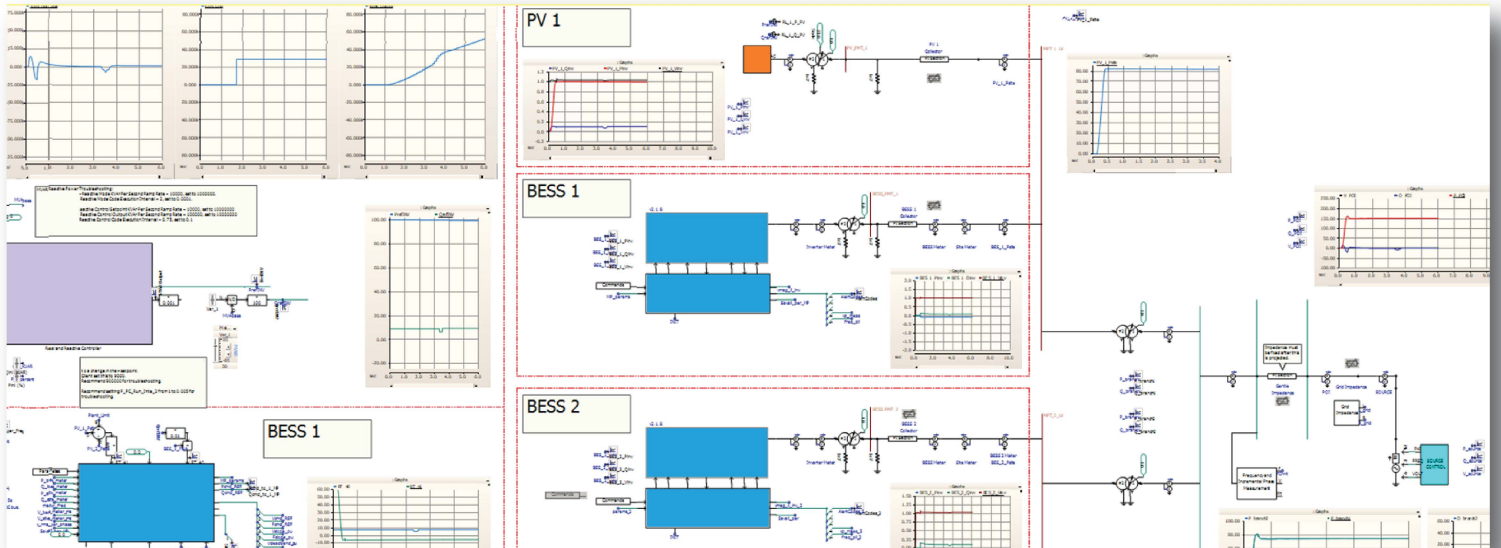
SHERMCO is North America's largest and fastest-growing electrical systems engineering and technical services organization providing a full-service, one stop solution to our clients.



CONTACT US FOR MORE INFORMATION: 360.413.9800

Solution Overview

In October 2023, SHERMCO was contracted to develop site-specific positive sequence and electromagnetic transient (EMT) models for two hybrid (Solar + BESS) sites and a single solar site connected to the same point of interconnection on PG&E's transmission grid as part of compliance to CAISO modeling requirements and NERC MOD standards.



SHERMCO mobilized to the facility to perform MOD tests, gathering data on the respective facility's responses to grid frequency and voltage changes, and used this data to tune and validate the facility models that were developed. SHERMCO provided representation of the five individual resources in comprehensive positive sequence and EMT models following discussions with PG&E representatives to determine the best way to represent this unique configuration of different facilities.

Through this scope, SHERMCO validated the facility's compliance with NERC MOD-025, 026, and 027 standards and provided site-specific EMT models and PSLF positive sequence models to be used by the Transmission Planner in detailed grid studies.